

Valves

George Fischer Hattersley Valves

fitted with flat face INSTAFLEX ends

GF 33X



Bronze Gate Valve - PN20 Series B

NEW

d	Code	£	SP	Kg			A	B	C	E				
20	761 066 381	28.30		0.3			43	85	60	75				
25	761 066 382	34.95		0.3			43	85	60	75				
32	761 066 383	44.90		0.4			52	85	60	75				
40	761 066 384	68.00		0.5			56	95	60	85				
	761 066 385	87.00		0.8			65	110	70	100				
50														
63	761 066 386	119.00		1.1			73	125	80	110				

GF 47



Bronze Check Valve, swing pattern - PN25 Series B

NEW

d	Code	£	SP	Kg			A	B						
20	761 066 387	28.15		0.2			57	39						
25	761 066 388	33.25		0.2			57	39						
32	761 066 389	44.90		0.4			62	45						
40	761 066 390	72.00		0.7			76	53						
	761 066 391	85.50		0.9			83	60						
50														
63	761 066 392	121.00		1.3			94	67						

GF 100



Ball Valves

NEW

d	Code	£	SP	Kg			A	B	C					
20	761 066 375	13.45		0.19			49	37	85					
25	761 066 376	15.70		0.19			50	37	85					
32	761 066 377	21.95		0.25			61	40	85					
40	761 066 378	41.30		0.41			70	48	105					
	761 066 379	56.50		0.67			84	52	105					
50														
63	761 066 380	82.00		1.12			98	63	130					

GF 1473



Ball Valves

NEW

d	Code	£	SP	Kg			A	B						
20	761 066 362	39.70		0.5			57	80						

GF 1000

Bronze Metering Station - PN20 Series B

NEW



d	Code	£	SP	Kg			A	B						
20	761 066 356	30.30		0.50			72	57						
25	761 066 357	38.35		0.41			56	57						
32	761 066 358	44.30		0.50			64	59						
40	761 066 359	67.50		0.60			72	64						
50	761 066 360	75.50		0.80			86	67						
63	761 066 361	105.00		1.10			80	72						

GF 1432

Bronze Double Regulating Valve - PN20 Series B

NEW



d	Code	£	SP	Kg			A	B	C					
20	761 066 350	39.60		0.6			79	37	101					
25	761 066 351	60.80		0.7			83	38	103					
32	761 066 352	68.50		1.0			103	33	109					
40	761 066 353	103.00		1.7			122	37	134					
50	761 066 354	137.00		2.2			133	34	141					
63	761 066 355	213.00		3.8			165	28	152					

GF 1050

Bronze Y Pattern autoflow - PN25

NEW



d	Code	£	SP	Kg			A	B	C	E				
20	761 066 363	86.00		0.52			101	51	56					
25	761 066 364	92.50		0.55			106	51	56					
32	761 066 365	121.00		0.98			141	68	60					
40	761 066 366	161.00		1.10			148	68	60					
50	761 066 367	202.00		2.20			177	104	65					
63	761 066 368	272.00		2.40			179	104	65					

GF 1051

Bronze Y Pattern autoflow - with integral ball valve

NEW



d	Code	£	SP	Kg			A	B	C	D	F			
20	761 066 369	98.50		1.1			157	51	56	51	100			
25	761 066 370	113.00		1.1			160	51	56	51	100			
32	761 066 371	154.00		2.3			219	68	60	66	120			
40	761 066 372	205.00		2.3			221	68	60	66	120			
50	761 066 373	276.00		4.6			253	103	65	87	140			
63	761 066 374	351.00		4.6			253	103	65	87	140			

GF 807

Y type Strainer - PN32 Series B

NEW

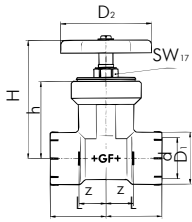


d	Code	£	SP	Kg			A	B	C	E				
20	761 066 393	31.30		0.4			68	68	49	65				
25	761 066 394	35.50		0.5			80	80	64	90				
32	761 066 395	47.45		0.9			95	107	89	115				
40	761 066 396	80.50		1.5			115	123	97	135				
50	761 066 397	99.00		1.8			130	145	116	165				
63	761 066 398	148.00		3.3			153	190	159	235				

Polybutylene Gate Valves

5070

PB Gate valve with handwheel



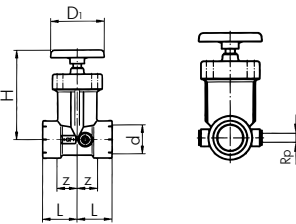
d (DN)	Code	£	SP	g	Handwheel	H	h	L	z	D ₁	D ₂
20 (15)	761 066 284	22.45	8	346	Red/Green	76	55	40	25	32	70
25 (20)	761 066 958	22.45	8	340	Red/Green	76	55	40	22	32	70
32 (25)	761 066 959	22.45	8	350	Red/Green	92	60	43	23	40	70
40 (32)	761 066 289	35.40	4	1000	Red/Green	155	113	55	33	51	90
50 (40)	761 066 290	39.90	4	1050	Red/Green	155	113	60	35	64	90
63 (50)	761 066 291	45.00	3	1235	Red/Green	155	113	75	47	81	90

5073

Valve PB with spigot G^{1/4"} for drain (for socket fusion)

Gasket: EPDM quality for potable water

Drain valve must be ordered separately (see below)

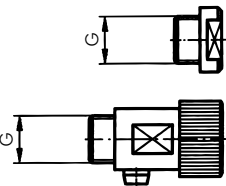


d (DN)	Code	£	SP	g	H	L	z	D ₁	Rp
20 (15)	761 066 272	27.00	12	395	86	40	25	70	1/4
25 (20)	761 066 273	27.00	12	388	86	40	22	70	1/4
32 (25)	761 066 274	27.00	12	402	91	43	23	70	1/4
40 (32)	761 066 275	42.60	4	1020	155	55	33	90	1/4
50 (40)	761 066 276	47.10	4	1070	155	60	35	90	1/4
63 (50)	761 066 277	51.50	3	1260	155	75	47	90	1/4

Handwheel anthracite with green/red changeover disk

5074

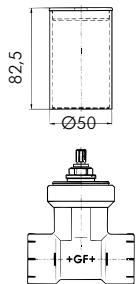
Drain valve and plug



G	Code	£	SP	g
1/4	761 066 328	3.73	1	60

5075

PB Gate valve, wall recessed hand wheels by others



d (DN)	Code	£	SP	g
20 (15)*	761 066 286	23.65	8	346
25 (20)*	761 066 955	23.65	8	340
32 (25)*	761 066 956	23.65	8	360

For dimensions see valve with handwheel

*Available on 2 week delivery

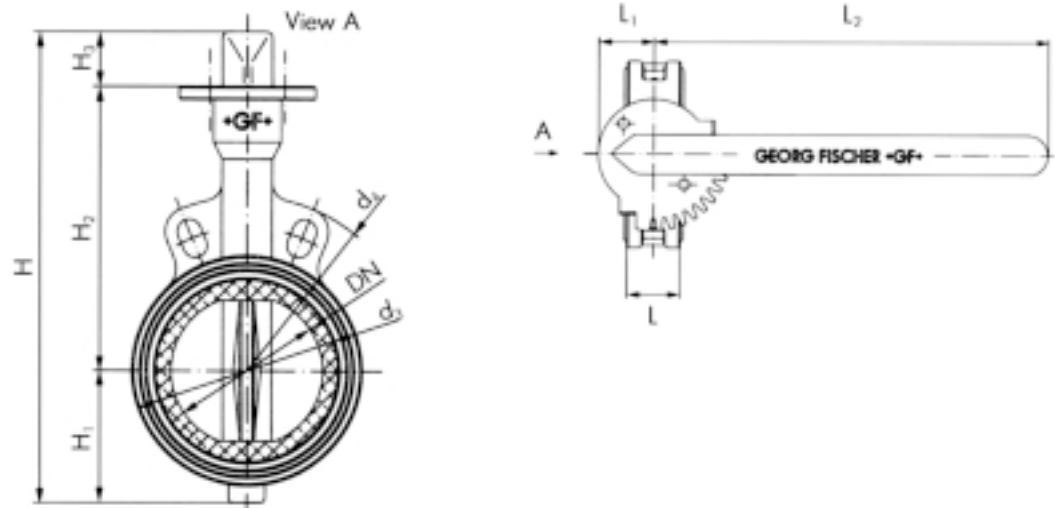
Metal Butterfly Valves - Types 037

Type 037 M, Butterfly Valve with hand lever



d	DN		k _v value l/min (Δp = 1 bar)	C _v value gpm (Δp = 1 psi)	Valve disc: ductile iron/Rilsan®-coated		Valve disc: stainless steel		Weight kg
	mm	inch			Seat: EPDM	FPM	Seat: EPDM	FPM	
63	50	2"	3140	220	199 037 000	199 037 013	199 037 200	199 037 213	1.8
75	65	2½"	4570	320	199 037 001	199 037 014	199 037 201	199 037 214	2.1
90	80	3"	7140	500	199 037 002	199 037 015	199 037 202	199 037 215	2.3
110	100	4"	11710	820	199 037 003	199 037 016	199 037 203	199 037 216	3.5
140	125	5"	18570	1300	199 037 004	199 037 017	199 037 204	199 037 217	4.3
160	150	6"	27130	1900	199 037 005	199 037 018	199 037 205	199 037 218	5.7
225	200	8"	47130	3330	199 037 006	199 037 019	199 037 206	199 037 219	8.4
280	250	10"	77110	5400	199 037 007	199 037 020	199 037 207	199 037 220	17.0
315	300	12"	114240	8000	199 037 008	199 037 021	199 037 208	199 037 221	21.0

Dimensions

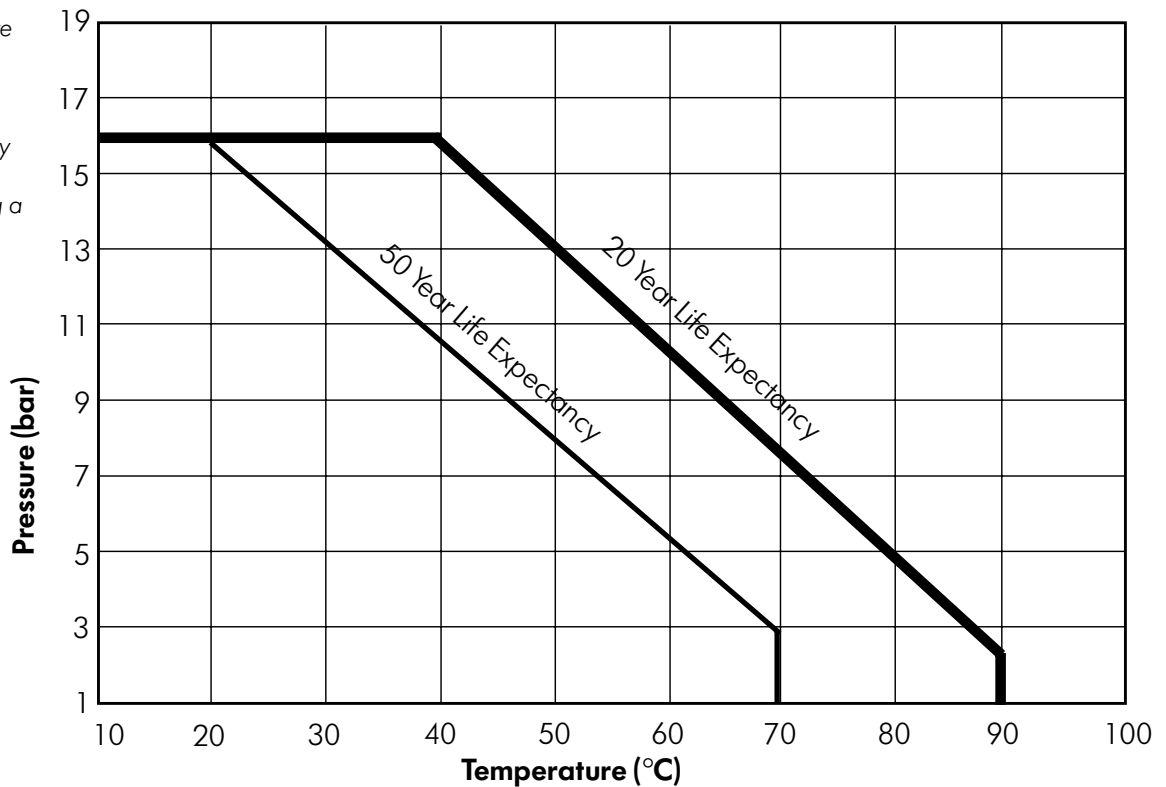


DN	inch	L	L ₁	L ₂	H	H ₁	H ₂	H ₃	d ₃	d ₄
50	2"	43	45	220	227	53	140	34	96	165
65	2½"	46	45	220	249	63	152	34	114	185
80	3"	46	45	220	264	71	159	34	131	190
100	4"	52	45	320	299	87	178	34	152	229
125	5"	56	45	320	327	102	191	34	182	254
150	6"	56	45	320	359	122	203	34	209	285
200	8"	60	45	420	424	149	241	34	262	343
250	10"	68	62,5	560	527	201	273	50	323	333
300	12"	78	62,5	560	592	231	311	50	373	353

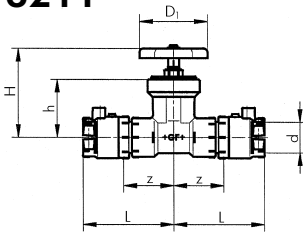
Prices for this valve are available on application.

Technical Data

The Temperature/Pressure diagram (right) shows at what pressure and temperature the PVC-C Type 346 valve will safely operate when in continuous use - allowing a 1.5 safety factor.



6211

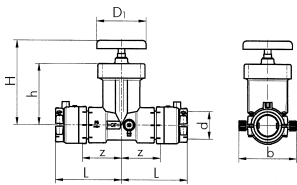


*Available on 2 week delivery

Valve PB with handwheel (for electrofusion)

d (DN)	Code	£	SP	g	handwheel	H	h	L	z	D ₁			
*20 (15)	761 069 330	31.05	6	396	Red/Green	76	55	86	47	70			
*25 (20)	761 069 331	31.45	6	410	Red/Green	76	55	89	47	70			
*32 (25)	761 069 332	32.50	6	440	Red/Green	92	60	94	52	70			
*40 (32)	761 069 333	47.85	2	1140	Red/Green	155	113	112	65	90			
*50 (40)	761 069 334	56.00	2	1270	Red/Green	155	113	120	71	90			
*63 (50)	761 069 335	74.00	1	1599	Red/Green	155	113	141	90	90			

6208



Handwheel anthracite with green/red changeover disk

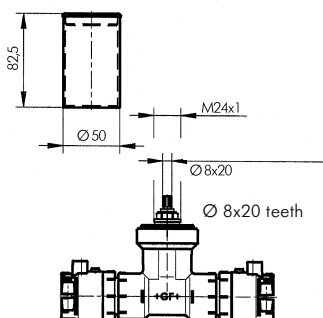
Valve PB with spigot G¹/₄ for drain (for electrofusion)

Gasket: EPDM quality for potable water

Drain valve must be ordered separately

d (DN)	Code	£	SP	g	H	L	z	D ₁	R _p				
20 (15)	761 069 294	35.60	6	445	86	86	47	70	1/4				
25 (20)	761 069 295	36.00	6	452	86	89	47	70	1/4				
32 (25)	761 069 296	37.10	6	449	91	94	52	70	1/4				
40 (32)	761 069 297	55.00	2	1160	155	112	65	90	1/4				
50 (40)	761 069 298	63.00	2	1290	155	120	71	90	1/4				
63 (50)	761 069 299	80.50	1	1624	155	141	90	90	1/4				

6212



*Available on 2 week delivery

Valve PB concealed (for electrofusion)

d (DN)	Code	£	SP	g	H	h	L	z	D				
*20 (15)	761 069 342	32.30	6	396	76	55	86	47	70				
*25 (20)	761 069 343	32.65	6	410	76	55	89	47	70				
*32 (25)	761 069 344	33.70	6	450	92	60	94	52	70				