

Windbox

High pressure air curtains for commercial and industrial use



Water heater



Electric heater



Without heater



Opening heights of up to 3.5m



Features

- Self-supporting casing construction made of zinc plated steel, finished in structural epoxy-polyester RAL 9016, white as standard.
- Other colours or stainless steel construction are available on request.
- Low noise centrifugal double inlet fans driven by an external rotor motor with built in thermal protection contact. Provided by five speed selection.
- Micro-perforated inlet grille with filter which only has to be periodically wiped or vacuumed.
- Anodised aluminium lamellas, airfoil shaped, adjustable from 0 to 15° each side.
- Control panel and 20m of telephonic cable with fast connectors type RJ45 (Plug & Play) included.
- Optional: Interface to connect to BMS. Available on request.



Suitable for mounting heights up to 2.5m

Model	Airflow (m³/h)	Heating capacity 80/60°C (kW)	Water drop pressure 80/60°C (Pa)	Water connection 80/60°C	Heating capacity 60/40°C (kW)	Water drop pressure 60/40°C (Pa)	Water connection 60/40°C	Electrical heating capacity 3x400V-50Hz (kW)	Power fans 230V-50Hz (A)	Current fans 230V-50Hz (A)	Noise level 3m (dB(A))	Weight (kg)
S 1000 P	1250	8.53	7200	2x3/4"	6.5	2250	2x3/4"	-	0.372	1.68	53	39
S 1000 E	1300	-	-	-	-	-	-	3/6/9	0.372	1.68	53	41
S 1000 A	1300	-	-	-	-	-	-	-	0.372	1.68	53	34
S 1500 P	1875	12.92	3200	2x3/4"	10.62	8300	2x3/4"	-	0.558	2.52	54	58
S 1500 E	1950	-	-	-	-	-	-	4/8/12	0.558	2.52	54	62
S 1500 A	1950	-	-	-	-	-	-	-	0.558	2.52	54	50
S 2000 P	2500	18.11	8300	2x3/4"	14.10	4400	2x3/4"	-	0.744	3.36	55	73
S 2000 E	2600	-	-	-	-	-	-	6/12/18	0.744	3.36	55	80
S 2000 A	2600	-	-	-	-	-	-	-	0.744	3.36	55	62
S 2500 P	3125	22.20	3000	2x3/4"	18.10	8650	2x3/4"	-	0.930	4.20	56	79
S 2500 E	3250	-	-	-	-	-	-	6/12/18	0.930	4.20	56	86
S 2500 A	3250	-	-	-	-	-	-	-	0.930	4.20	56	86

Suitable for mounting heights up to 2.8m

Model	Airflow (m³/h)	Heating capacity 80/60°C (kW)	Water drop pressure 80/60°C (Pa)	Water connection 80/60°C	Heating capacity 60/40°C (kW)	Water drop pressure 60/40°C (Pa)	Water connection 60/40°C	Electrical heating capacity 3x400V-50Hz (kW)	Power fans 230V-50Hz (A)	Current fans 230V-50Hz (A)	Noise level 3m (dB(A))	Weight (kg)
M 1000 P	1800	10.27	850	2x3/4"	8.72	4250	2x3/4"	-	0.510	2.22	54	39
M 1000 E	1850	-	-	-	-	-	-	3/6/9	0.510	2.22	54	41
M 1000 A	1850	-	-	-	-	-	-	-	0.510	2.22	54	34
M 1500 P	2700	16.98	3250	2x3/4"	13.86	6700	2x3/4"	-	0.765	3.33	55	58
M 1500 E	2775	-	-	-	-	-	-	4/8/12	0.765	3.33	55	62
M 1500 A	2775	-	-	-	-	-	-	-	0.765	3.33	55	50
M 2000 P	3600	23.60	8000	2x3/4"	18.58	4900	2x3/4"	-	1.020	4.44	56	73
M 2000 E	3700	-	-	-	-	-	-	6/12/18	1.020	4.44	56	80
M 2000 A	3700	-	-	-	-	-	-	-	1.020	4.44	56	62
M 2500 P	4500	29.16	3860	2x3/4"	23.18	4050	2x3/4"	-	1.275	5.55	57	79
M 2500 E	4625	-	-	-	-	-	-	6/12/18	1.275	5.55	57	86
M 2500 A	4625	-	-	-	-	-	-	-	1.275	5.55	57	86

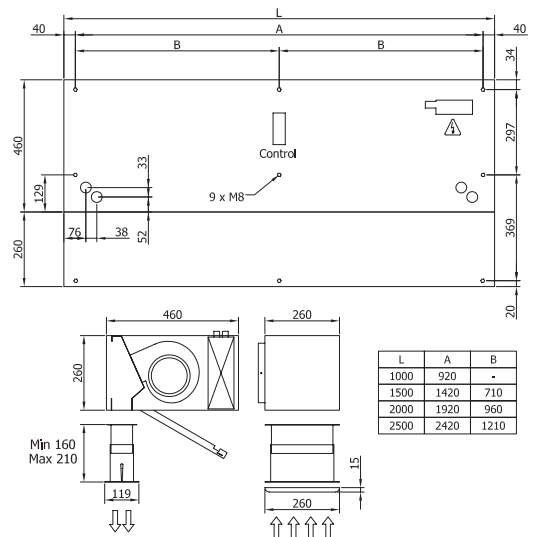
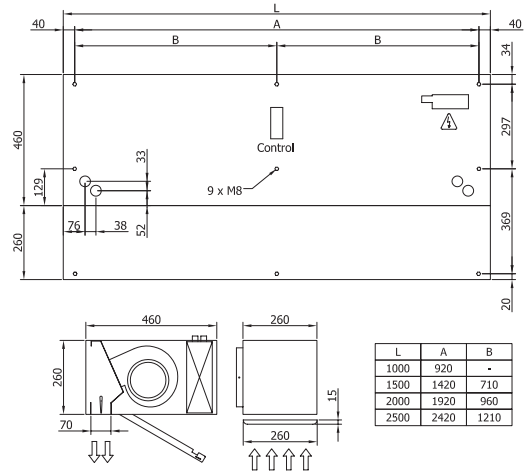
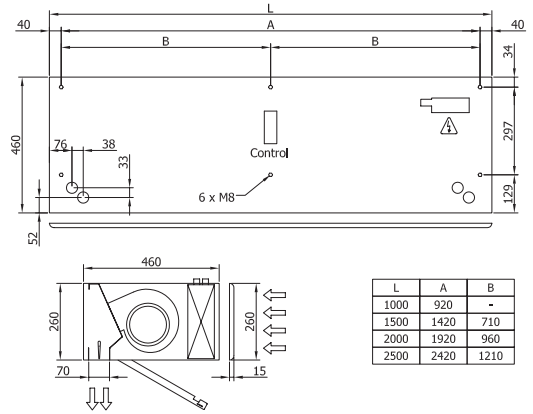
Windbox

Suitable for mounting heights up to 3.5m

Model	Airflow (m³/h)	Heating capacity 80/60°C (kW)	Water drop pressure 80/60°C (Pa)	Water connection 80/60°C	Heating capacity 60/40°C (kW)	Water drop pressure 60/40°C (Pa)	Water connection 60/40°C	Electrical heating capacity 3x400V-50Hz (kW)	Power fans 230V-50Hz (A)	Current fans 230V-50Hz (A)	Noise level 3m (dB(A))	Weight (kg)
G 1000 P	2700	13.10	1300	2x3/4"	11.3-	6850	2x3/4"	-	0.765	3.33	55	44
G 1000 E	2775	-	-	-	-	-	-	5/10/15	0.765	3.33	55	46
G 1000 A	2775	-	-	-	-	-	-	-	0.765	3.33	55	38
G 1500 P	3600	20.30	4500	2x3/4"	16.72	9400	2x3/4"	-	1.020	4.44	56	64
G 1500 E	3700	-	-	-	-	-	-	7.5/15/22.5	1.020	4.44	56	68
G 1500 A	3700	-	-	-	-	-	-	-	1.020	4.44	56	55
G 2000 P	5400	30.40	1285	2x3/4"	24.18	7900	2x3/4"	-	1.530	6.66	57	83
G 2000 E	5550	-	-	-	-	-	-	10/20/30	1.530	6.66	57	90
G 2000 A	5550	-	-	-	-	-	-	-	1.530	6.66	57	72
G 2500 P	6300	36.00	5700	2x3/4"	28.90	6000	2x3/4"	-	1.785	7.77	58	87
G 2500 E	6475	-	-	-	-	-	-	10.7/21.3/32	1.785	7.77	58	96
G 2500 A	6475	-	-	-	-	-	-	-	1.785	7.77	58	76



Windbox



www.jsaircurtains.com

JS has a policy of continually improving products and performance. Actual specifications might vary from those shown.

JS Air Curtains

Artex Avenue, Rustington, LITTLEHAMPTON,
West Sussex, BN16 3LN, UK.

Tel: +44 (0)1903 858656 • Fax: +44 (0)1903 850345

Email: sales@jsaircurtains.com



Part of the JS Humidifiers Group

