

## Rund

### Cylindrical air curtains



Water heater



Electric heater



Without heater



Opening widths of up to 3.5m



#### Features

- Decorative round air curtain for vertical or horizontal installation.
- Self-supporting casing construction made of zinc plated steel, finished in structural epoxy-polyester white RAL 9016 or silver grey RAL 9006 as standard. Other colours or stainless steel construction are available on request.
- Low noise centrifugal double inlet fans driven by an external rotor motor with built in thermal protection contact. Provided with five speed selection.
- Anodised aluminium lamellas, airfoil shaped, adjustable from 0 to 15°.
- Control panel and 20m of telephonic cable with fast connectors type RJ45 (Plug & Play), included.
- Optional: Interface to connect to BMS. Available on request.
- Ceiling, wall and floor support (tailor-made) options available.



# Rund

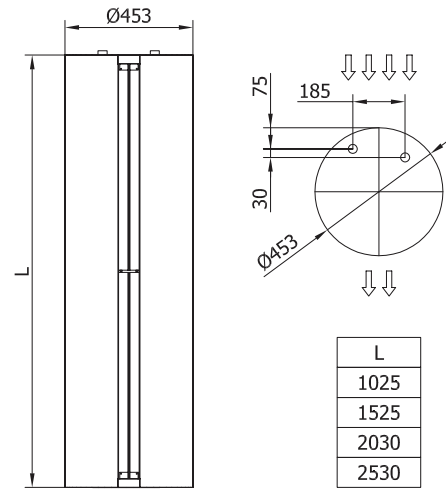
Model	Airflow (m³/h)	Heating capacity 80/60°C (kW)	Water drop pressure 80/60°C (Pa)	Water connection 80/60°C	Heating capacity 60/40°C (kW)	Water drop pressure 60/40°C (Pa)	Water connection 60/40°C	Electrical heating capacity 3x400V-50Hz (kW)	Power fans 230V-50Hz (kW)	Current fans 230V-50Hz (A)	Noise level 3m (dB(A))	Weight (kg)
RUND M 1000 P	1875	10.52	890	2x3/4"	9.04	4460	2x3/4"	-	0.558	2.52	54	47
RUND M 1000 E	1950	-	-	-	-	-	-	3/6/9	0.558	2.52	54	49
RUND M 1000 A	1950	-	-	-	-	-	-	-	0.558	2.52	54	42
RUND M 1500 P	2500	16.14	2940	2x3/4"	13.28	6390	2x3/4"	-	0.744	3.36	55	71
RUND M 1500 E	2600	-	-	-	-	-	-	4/8/12	0.744	3.36	55	75
RUND M 1500 A	2600	-	-	-	-	-	-	-	0.744	3.36	55	63
RUND M 2000 P	3750	24.22	8380	2x3/4"	19.11	5140	2x3/4"	-	1.116	5.04	56	90
RUND M 2000 E	3900	-	-	-	-	-	-	6/12/18	1.116	5.04	56	97
RUND M 2000 A	3900	-	-	-	-	-	-	-	1.116	5.04	56	79
RUND M 2500 P	4375	28.66	3750	2x3/4"	22.80	3930	2x3/4"	-	1.302	5.88	57	101
RUND M 2500 E	4550	-	-	-	-	-	-	6/12/18	1.302	5.88	57	108
RUND M 2500 A	4550	-	-	-	-	-	-	-	1.302	5.88	57	88

Model	Airflow (m³/h)	Heating capacity 80/60°C (kW)	Water drop pressure 80/60°C (Pa)	Water connection 80/60°C	Heating capacity 60/40°C (kW)	Water drop pressure 60/40°C (Pa)	Water connection 60/40°C	Electrical heating capacity 3x400V-50Hz (kW)	Power fans 230V-50Hz (kW)	Current fans 230V-50Hz (A)	Noise level 3m (dB(A))	Weight (kg)
RUND G 1000 P	2700	13.10	1300	2x3/4"	11.31	6850	2x3/4"	-	0.765	3.33	55	52
RUND G 1000 E	2775	-	-	-	-	-	-	5/10/15	0.765	3.33	55	54
RUND G 1000 A	2775	-	-	-	-	-	-	-	0.765	3.33	55	46
RUND G 1500 P	3600	20.30	4500	2x3/4"	16.72	9400	2x3/4"	-	1.020	4.44	56	77
RUND G 1500 E	3700	-	-	-	-	-	-	7.5/15/22.5	1.020	4.44	56	81
RUND G 1500 A	3700	-	-	-	-	-	-	-	1.020	4.44	56	68
RUND G 2000 P	5400	30.40	12850	2x3/4"	24.18	7900	2x3/4"	-	1.530	6.66	57	100
RUND G 2000 E	5550	-	-	-	-	-	-	10/20/30	1.530	6.66	57	107
RUND GS 2000 A	5550	-	-	-	-	-	-	-	1.530	6.66	57	89
RUND G 2500 P	6300	36.00	5700	2x3/4"	28.90	6000	2x3/4"	-	1.785	7.77	58	109
RUND G 2500 E	6475	-	-	-	-	-	-	10.7/21.3/32	1.785	7.77	58	118
RUND G 2500 A	6475	-	-	-	-	-	-	-	1.785	7.77	58	98

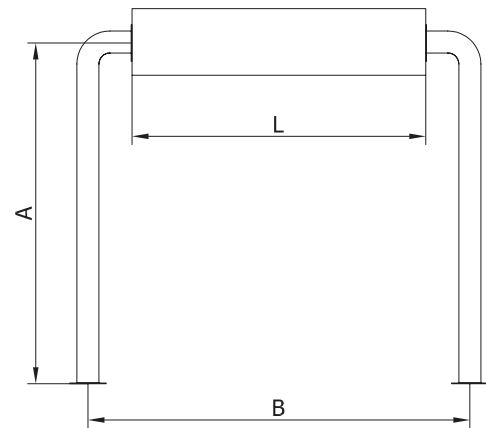
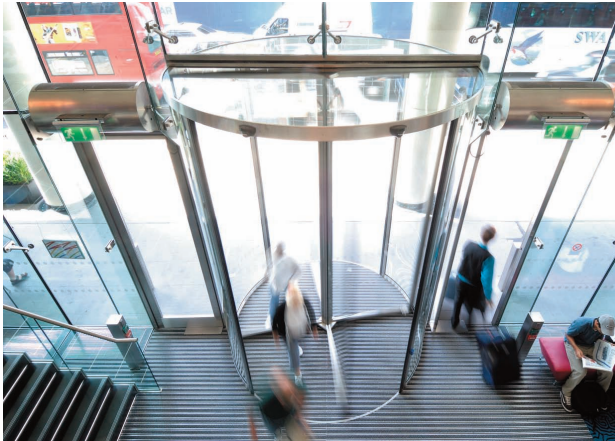
# Rund

## Layouts and dimensions

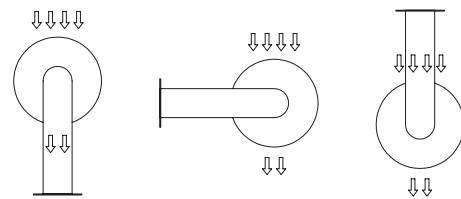
### Vertical installation



### Wall mounted



### Floor mounted



A	Customized
B	Customized

[www.jsaircurtains.com](http://www.jsaircurtains.com)

JS has a policy of continually improving products and performance. Actual specifications might vary from those shown.

### JS Air Curtains

Artex Avenue, Rustington, LITTLEHAMPTON,  
West Sussex, BN16 3LN, UK.

Tel: +44 (0)1903 858656 • Fax: +44 (0)1903 850345

Email: [sales@jsaircurtains.com](mailto:sales@jsaircurtains.com)



Part of the JS Humidifiers Group

