

Rotowind

Air Curtains for revolving doors



Water heater



Electric heater



Without heater



Opening heights of up to 3m



Basic Features

- Specially designed to be installed in all types of revolving doors. Three possible layouts, tailored dimensions.
- Structure made of aluminium profiles and zinc plated steel panels and nozzle, finished in structural epoxy-polyester white RAL 9016 as standard. Other colours are available on request.
- Low noise centrifugal double inlet fans driven by an external rotor motor with built in thermal protection contact. Provided with five speed selection.
- “P” type includes water heated coils. “E” type includes electrical shielded elements, three power stages with power switches included. “A” type is without heating, air only.
- Circular discharge jet with anodised aluminium blow-out vanes, airfoil shaped.
- Control panel and 20m of telephonic cable with fast connectors type RJ45 (Plug & Play), included. Optional: Interface to connect to BMS.



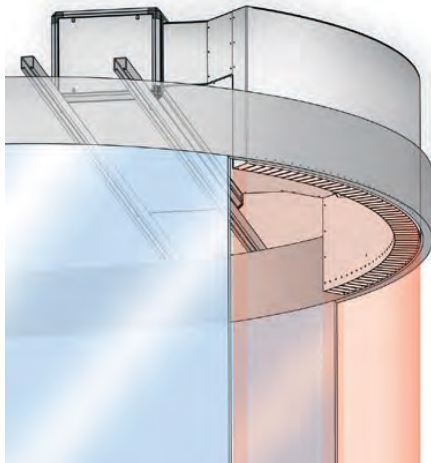
Rotowind

Model	Airflow (m³/h)	Heating capacity 80/60°C (kW)	Water drop pressure 80/60°C (Pa)	Water connection 80/60°C	Heating capacity 60/40°C (kW)	Water drop pressure 60/40°C (Pa)	Water connection 60/40°C	Electrical heating capacity 3x400V-50Hz (kW)	Power fans 230V-50Hz (A)	Current fans 230V-50Hz (A)	Noise level 3m (dB(A))	Weight (kg)
ROTO M 1000 P	1875	10.52	890	2x3/4"	9.04	4460	2x3/4"	-	0.558	2.52	54	-
ROTO M 1000 E	1950	-	-	-	-	-	-	3/6/9	0.558	2.52	54	-
ROTO M 1000 A	1950	-	-	-	-	-	-	-	0.558	2.52	54	-
ROTO M 1500 P	2500	16.14	2940	2x3/4"	13.28	6390	2x3/4"	-	0.744	3.36	55	-
ROTO M 1500 E	2600	-	-	-	-	-	-	4/8/12	0.744	3.36	55	-
ROTO M 1500 A	2600	-	-	-	-	-	-	-	0.744	3.36	55	-
ROTO M 2000 P	3750	24.22	8380	2x3/4"	19.11	5140	2x3/4"	-	1.116	5.04	56	-
ROTO M 2000 E	3900	-	-	-	-	-	-	6/12/18	1.116	5.04	56	-
ROTO M 2000 A	3900	-	-	-	-	-	-	-	1.116	5.04	56	-
ROTO M 2500 P	4375	28.66	3750	2x3/4"	22.80	3930	2x3/4"	-	1.302	5.88	57	-
ROTO M 2500 E	4550	-	-	-	-	-	-	6/12/18	1.302	5.88	57	-
ROTO M 2500 A	4550	-	-	-	-	-	-	-	1.302	5.88	57	-

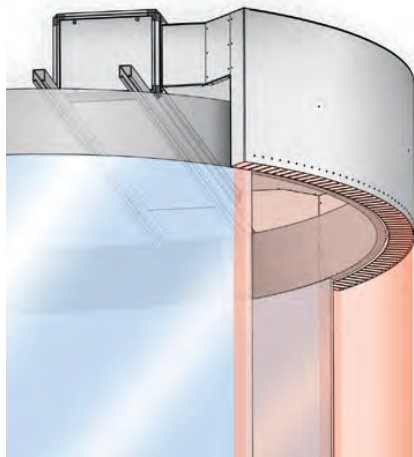
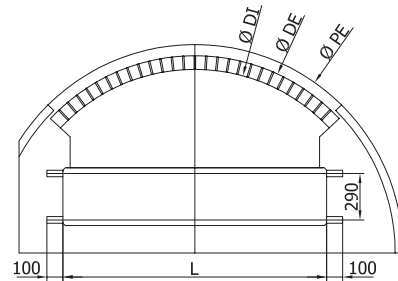
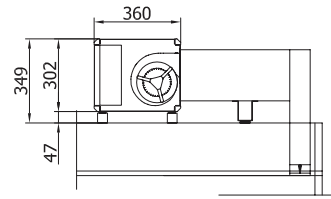
Model	Airflow (m³/h)	Heating capacity 80/60°C (kW)	Water drop pressure 80/60°C (Pa)	Water connection 80/60°C	Heating capacity 60/40°C (kW)	Water drop pressure 60/40°C (Pa)	Water connection 60/40°C	Electrical heating capacity 3x400V-50Hz (kW)	Power fans 230V-50Hz (A)	Current fans 230V-50Hz (A)	Noise level 3m (dB(A))	Weight (kg)
ROTO G 1000 P	2700	13.10	1300	2x3/4"	11.31	6850	2x3/4"	-	0.765	3.33	55	-
ROTO G 1000 E	2775	-	-	-	-	-	-	5/10/15	0.765	3.33	55	-
ROTO G 1000 A	2775	-	-	-	-	-	-	-	0.765	3.33	55	-
ROTO G 1500 P	3600	20.30	4500	2x3/4"	16.72	9400	2x3/4"	-	1.020	4.44	56	-
ROTO G 1500 E	3700	-	-	-	-	-	-	7.5/15/22.5	1.020	4.44	56	-
ROTO G 1500 A	3700	-	-	-	-	-	-	-	1.020	4.44	56	-
ROTO G 2000 P	5400	30.40	12850	2x3/4"	24.18	7900	2x3/4"	-	1.530	6.66	57	-
ROTO G 2000 E	5550	-	-	-	-	-	-	10/20/30	1.530	6.66	57	-
ROTO GS 2000 A	5550	-	-	-	-	-	-	-	1.530	6.66	57	-
ROTO G 2500 P	6300	36.00	5700	2x3/4"	28.90	6000	2x3/4"	-	1.785	7.77	58	-
ROTO G 2500 E	6475	-	-	-	-	-	-	10.7/21.3/32	1.785	7.77	58	-
ROTO G 2500 A	6475	-	-	-	-	-	-	-	1.785	7.77	58	-

Rotowind

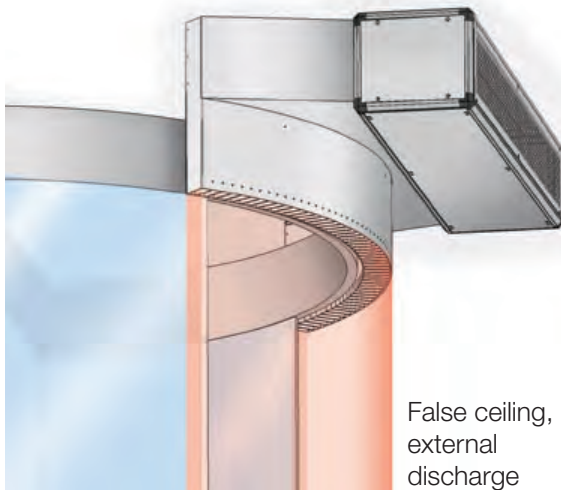
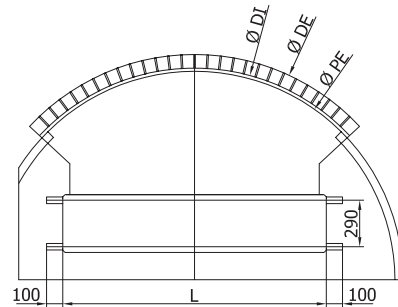
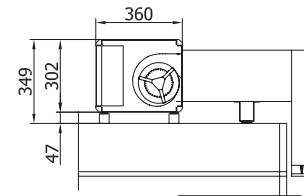
RoToWind air curtains are tailor-made for any kind of revolving door according to the following layouts.



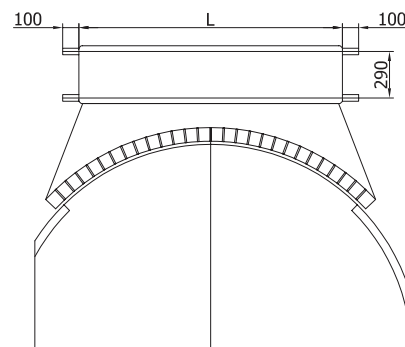
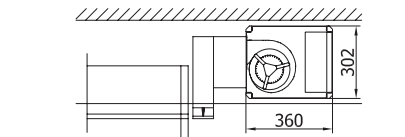
On top mounting, internal discharge



On top mounting, external discharge



False ceiling, external discharge



www.jsaircurtains.com

JS has a policy of continually improving products and performance. Actual specifications might vary from those shown.

JS Air Curtains

Artex Avenue, Rustington, LITTLEHAMPTON,
West Sussex, BN16 3LN, UK.

Tel: +44 (0)1903 858656 • Fax: +44 (0)1903 850345

Email: sales@jsaircurtains.com



Part of the JS Humidifiers Group



JS Air Curtains

