

Auxiliary programs for extended data analysis

Processing long-term data with ADP (Advanced Data Processing)

An essential requirement when optimising the running of a building is fast access to the relevant data. But speed is not the only critical feature. The combination of data and its presentation are also important. It is also often necessary for various reasons to store the data for very long periods, and only restore it after a significant period of time.

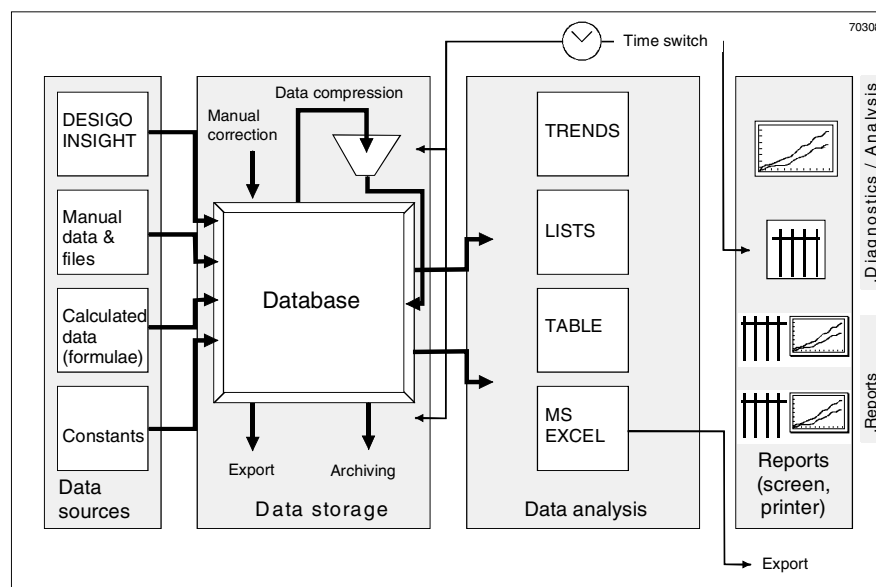
ADP continuously captures and archives data directly from the DESIGO log and trend database. The accumulated energy and utilities consumption data can be processed to provide highly informative key figures. This provides the building supervisor with the necessary basis to determine whether the building is being run efficiently, or whether certain aspects could be improved. With ADP the data remains in the database for a user-defined period of time, providing easy access for processing and reporting. Old data can be deleted automatically or exported for long-term archiving.

Manual modifications to the data are indicated in the "Quality" attribute and can be logged in the database transaction log. This ensures that any changes are trackable, and makes it possible to restore the original values if necessary.

In addition to the features already available in DESIGO INSIGHT, ADP incorporates a wide range of reporting features designed to document and further simplify the operation of the building.

Features

- Single and multi-user systems
- Informative reports for efficient and transparent management
- Visualisation of process data in graph and/or table form
- Evidence of compliance with required operating conditions, emission regulations and process conditions (e.g. for production in the pharmaceutical industry)
- Representation of the performance of the building management system
- Monitoring and evaluation of optimisation measures
- Evaluation of plant efficiency
- Archiving features for long-term data analysis



Data processing with ADP

Consumption Control

Consumption Control is a PC program for reports (consumption costs, energy signature etc.) based on pricing models and predicted building energy and energy resource data. The data required for this purpose can be processed directly from DESIGO and/or other sources. The data is captured from counters in the building management system or from meter read-outs, condensed where necessary, supplemented (with meter numbers, inventory data etc.) and allocated to buildings or other structures.

Any missing information can be interpolated from the existing values. The various utilities (e.g. electricity, oil, water) can be viewed from different standpoints (e.g. per storey in a building, per company etc.). The data can be printed in user-modifiable reports (e.g. graphs and tables). Consumption Control is the ideal tool for reporting on and controlling resources and the associated costs in a building or system. Analysis can be carried out to a resolution of one day.

The reports and collated data are ideal for both monitoring and tuning. Consumption Control is highly suitable for use in combination with the ADP software.

ADP and Consumption Control can be installed on a separate PC and obtain data from the DESIGO INSIGHT management station by network file transfer.