



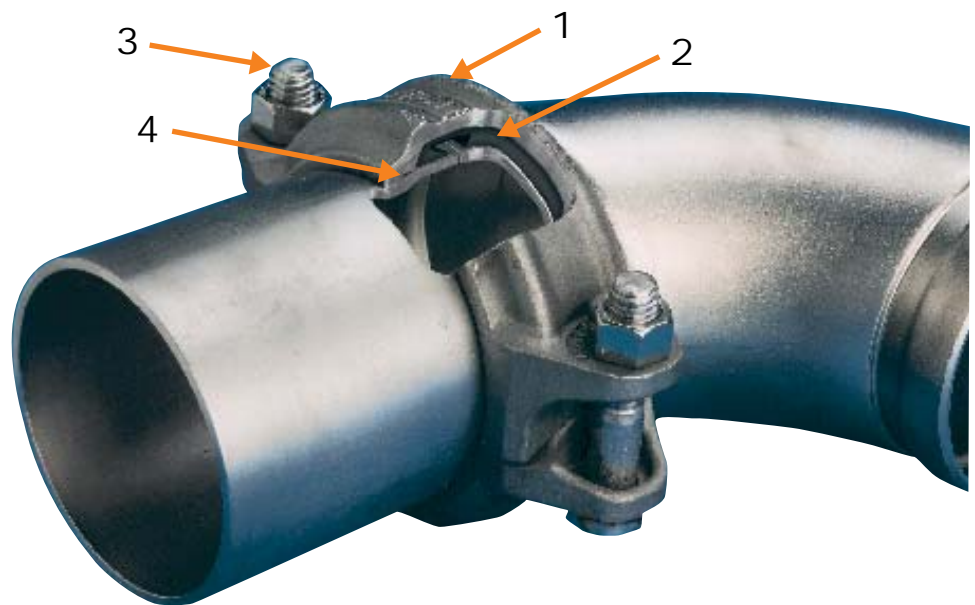
# The Victaulic grooved system for stainless steel piping

The Victaulic® system for stainless steel piping provides fast, easy, economical joining of Schedule 10S, (5S and 40S optionally available) austenitic pipe for widely varied services.

Pipe conforming to ANSI B36.10 and B36.19 can be roll grooved with Victaulic tools. Fittings are supplied grooved to the same standards ready to install. Couplings are available for both rigid and flexible joints.

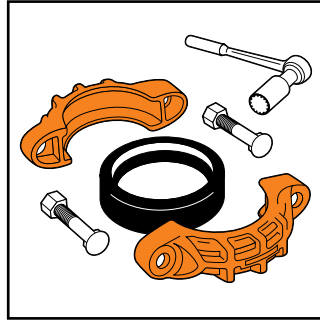
Victaulic offers a full line of grooved stainless ball (1½" - 6"/40 - 150 mm) and butterfly (2 - 12"/50 - 300 mm) valves. A swing check and diverter ball valve are also available in 2" (50 mm) size. For small diameter piping (½ - 2"/15 - 50 mm) the Victaulic Pressfit System is the fastest, easiest and most reliable method for joining Type 304 and 316 stainless Pressfit approved lightwall pipe.

## The Grooved System



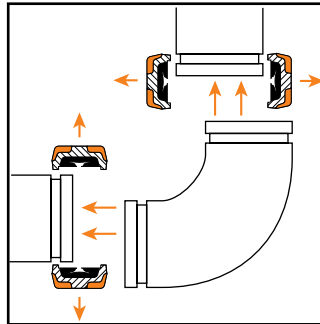
- 1. Housing** – The housing fully encases the gasket engaging into the pipe grooves around the full circumference. Standard material is stainless steel for externally corrosive environments and ductile iron for most services with other materials and various coatings available.
- 2. Gasket** – Provides sealing against pressure or vacuum, with varied compounds to handle most process services. Since only the gasket touches the media, many special gaskets can be used with standard couplings for material savings.
- 3. Nuts/Bolts** – Only two bolts are required to secure the housings. Stainless steel couplings are provided with Type 316 trackhead bolts and nuts (depending on coupling); ductile couplings with plated ASTM-A183 track head bolts and nuts.
- 4. Groove** – Roll grooving removes no metal providing a formed groove suitable for Schedule 5 through ANSI standard wall thickness stainless steel (and others) field applied with hand, electric or hydraulic tools.

# Features and benefits of the Victaulic system



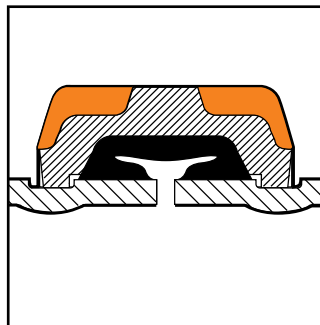
## ■ Economical and practical

Up to five times faster to install than welding, flanging or threading, the Victaulic system can reduce total installed costs by 20 to 40%. Cost estimates are more accurate; completion dates more predictable.



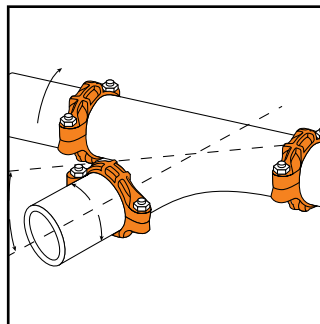
## ■ Easy system or equipment access

Removal of two couplings (just four bolts) provides access for cleaning, maintenance, system expansion or changes. Victaulic butterfly valves provide "dead-end" shut-off service to isolate equipment or systems.



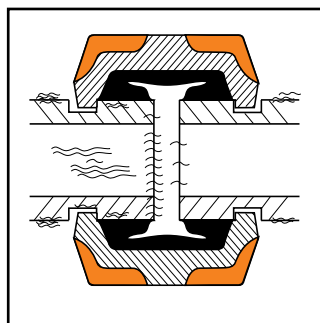
## ■ Rigidity

Rigid couplings are an integral part of the grooved system. Utilizing standard grooved pipe, fittings, and valves, rigidity is achieved.



## ■ Alignment ease

The grooved system allows full rotation of pipe, valves, fittings or couplings before tightening for easy alignment. This compensates for some alignment errors and eliminates the "two-holing" required with flanges. Fitting in tight places is eased. Request publication 26.03.



## ■ Proven joint reliability

Full circumferential engagement of the housing into the groove provides end pull strength. Couplings are available for working pressures to 300 psi (2065 kPa).

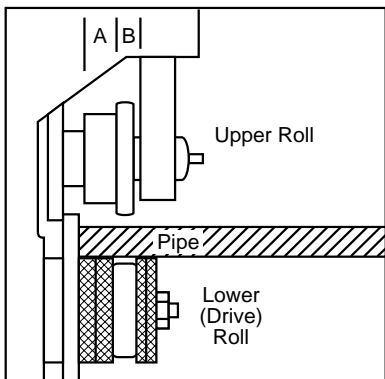
*Artwork above exaggerated for clarity.*

# The roll grooving concept

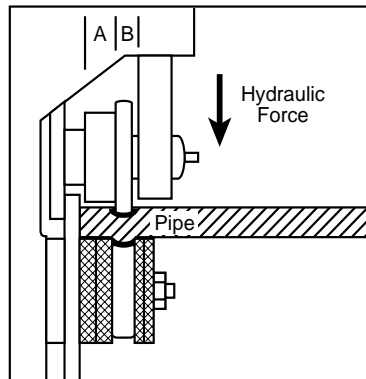
The concept of cold forming (rolling) a groove into pipe was developed by Victaulic in 1955. Victaulic has developed a full line of tools that permits roll grooving of lightwall and standard weight stainless steel pipe. Roll grooving removes no metal; the groove is cold formed into the pipe wall.

Victaulic Vic-Easy® roll grooving tools are all designed to rotate the pipe as an upper roll is impressed into the pipe. The lower roll, in addition to driving the pipe, is the female die inside the pipe. The upper roll is the male die. For all but the VE12S, VE26S, VE46S and VE226S tools, Victaulic roll groovers use hydraulic pressure to force the upper roll into the pipe to form the groove. Groove depth is controlled by an adjustable stop. The configuration of the rolls provides the proper "A" (pipe end to edge of groove) and "B" (groove width) dimensions. Vic-Easy tools permit roll grooving of Schedule 40 size pipe through 10" (250 mm) and standard wall up to 36" (900 mm) O.D. (0.375"/9,5 mm wall thickness). Special stainless RX rolls ensure proper groove depth and the patented Enhanced Tracking Rolls (ETR) prevent pipe "walk-offs".

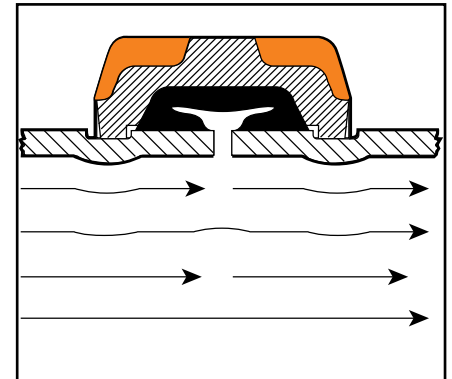
- **Fast, clean and easy**
- **Removes no metal from the pipe**
- **Specialized "RX" rolls for lightwall stainless pipe**
- **Shop production, fabrication and portable job-site tools available**
- **Equipped with enhanced tracking rolls for hands off grooving short lengths of pipe.**



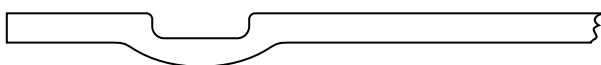
Vic-Easy tools cold form groove into pipe – maintains dimensions



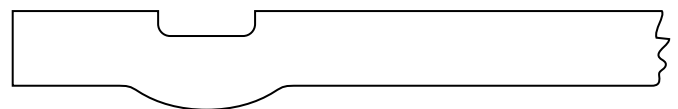
Roll grooving removes no metal from pipe



Inner dimple has virtually no effect on pressure drop



**Standard Roll Groove on light wall pipe  
(For stainless steel and other IPS pipe)**

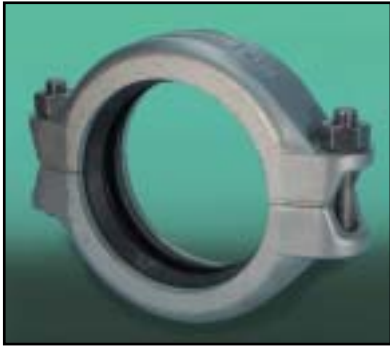


**Standard Roll Groove on Standard Weight (S-40) Pipe  
(For stainless steel and other IPS pipe)**

*Artwork above exaggerated for clarity.*



## Couplings for stainless steel systems



### Style 77S - flexible coupling

Available in ¼ through 18-inch sizes (20 - 450 mm), the Style 77-S is offered in Type 316 stainless steel for maximum corrosion resistance. The Style 77-S will allow you to eliminate specialized noise reduction components and expansion loops. For further information request publication 17.03.



### Style 475 - flexible coupling

Offered in stainless steel Type 316 CF8M grade for 1 through 4-inch (25 - 100 mm) systems the Style 475 also eliminates the need for specialized noise reductions and expansion loops. To ease installation Style 475 can be assembled by removing only one nut and bolt and using a "swing-over" feature to reduce the number of components that need to be handled during assembly. A tongue and recess feature ensures proper coupling assembly. Track head bolts and nuts provide single wrench tightening. For further information request publication 17.14.



### Style 489 - rigid coupling

Offered in 1½ through 12-inch (40 - 300 mm) sizes, this 300 psi coupling provides rigidity. The housing key is designed to "clamp" the bottom of the groove thereby assuring a rigid joint. The Style 489 coupling will greatly reduce linear or angular movement and is useful for valve connections and other points where rigidity may be required. Also available in JIS sizes. For further information request publication 17.25.



### Style 89 - rigid coupling

Designed to provide 300 psi service economically, the Style 89 coupling is made of ductile iron and is specifically designed for 2 through 12-inch (50 - 300 mm) stainless systems. Matching the performance characteristics of the stainless Style 489 coupling, Style 89 couplings can be used where the external environment is not corrosive. Since only the gasket is exposed to the media this ductile iron coupling can be used without fear of dielectric corrosion. Style 89 is available with either painted or galvanized finishes. Carbon or stainless steel bolts and nuts are available. For further information request publication 17.24.

NOTE: Gasket materials are available to meet most service requirements. Request publication 05.01 for specific services.



## Style 441 - flange adapter

This stainless flange adapter is available in 2 through 6-inch (50 - 150 mm) sizes. For piping systems above 6" (150 mm) Victaulic offers a Style 45-S flange adapter. Designed for connection to ANSI Class 150 raised face flanges, these adapters provide a fast, simple transition from flanged equipment and components to the grooved system. For further information request publication 17.27.

## Working pressures

Pipe Size		Working Pressure Based on Schedule 10S Pipe – psi/kPa					
Nominal Diameter inches/mm	Actual Outside Diameter inches/mm	Style 77S† Stainless Flexible Coupling	Style 475 Stainless Flexible Coupling	Style 489 Stainless Rigid Coupling	Style 89 Ductile Rigid Coupling	Style 441 Stainless Flange Adapter	Style 45S Stainless Flange Adapter
1 25	1.315 33,7	500 3450	500 3450	– –	– –	– –	– –
1¼ 32	1.660 42,4	500 3450	500 3450	– –	– –	– –	– –
1½ 40	1.900 48,3	500 3450	500 3450	300 2065	– –	– –	– –
2 50	2.375 60,3	500 3450	300 2065	300 2065	300 2065	275 1895	– –
2½ 65	2.875 73,0	500 3450	300 2065	300 2065	300 2065	275 1895	– –
3 80	3.500 88,9	400 2750	300 2065	300 2065	300 2065	275 1895	– –
4 100	4.500 114,3	350 2413	300 2065	300 2065	300 2065	275 1895	– –
6 150	6.625 168,3	200 1379	– –	300 2065	300 2065	– –	275 1895
8 200	8.625 219,1	125 862	– –	300 2065	300 2065	– –	275 1895
10 250	10.750 273,0	75 517	– –	300 2065	300 2065	– –	275 1895
12 300	12.750 323,9	125 862	– –	300 2065	300 2065	– –	275 1895

For pressure ratings on Schedule 5S and 40S pipe, please refer to the individual product submittals, or contact Victaulic.

†Available in ¾, 1, 1¼, and 1½", rated to 500 psi, plus 14" @1100 psi; 16" @80 psi, and 18" @60 psi.

## ASTM A-403 stainless steel fittings



Victaulic stainless steel fittings are roll grooved Schedule 10S Type 304L and 316L manufactured from materials conforming to ASTM A-403. Offered in sizes from 1 through 12-inch (25 - 300 mm), fittings are optionally available in Schedule 5 and 40. Fittings currently available include:

- 90 and 45 degree elbows
- Straight and reducing tees
- Concentric and eccentric reducers
- Caps with boss
- Laterals, wyes and speciality fittings available upon request.

Victaulic fittings are supplied grooved to speed installation. The pressure ratings for Victaulic stainless steel fittings are dictated by the coupling used to install the fitting (see chart above). For further information request publication 17.16.

Victaulic also offers ASTM A-774 fittings. For further information request publication 17.10.

# Stainless steel valves



## Series 763 stainless steel butterfly valve

Victaulic Series 763 stainless steel butterfly valves are designed for 300 psi (2065 kPa) service in 2 through 12-inch (50 - 300 mm) systems. The valve consists of a stainless steel body with an integrally cast neck to accommodate insulation requirements of up to two inches. The valve has an ISO top flange that will accept mounting of all major manual and power actuators. The valve is designed to accommodate insulation and allows for global actuation. The Series 763 also features a variety of available seat options that include EPDM, nitrile, fluoroelastomer, and lubricated nitrile (for air and gas service only). The disc is constructed of stainless steel and provides a bubble-tight shut-off at full rated pressure and temperature. The valve is bi-directional and is capable of bi-directional dead-end service. For a list of chemical compatibilities and further information, request publication 17.23.

### Series 763 Figure Numbering System

V - 040 - 3 3 3 1 03

Type	Size	Pressure Rating	Body Material	Disc/Stem	Seat	Operator
V	020 2" 024 2½" 076 76,1 mm 030 3" 040 4" 060 6" 165 165,1 mm 080 8" 100 10" 120 12"	3 - 300 psi	3 - 316 stainless steel 9 - Special *	3 - 316 stainless steel/ 316 stainless steel 9 - Special*	1 - EPDM 2 - Nitrile 3 - Viton D - Lubricated Nitrile+ 9 - Special*	00 - Bare 01 - Infinite position lever with memory 02 - Two position lever 03 - Lever lock - 10 position S3 - Lever lock with stainless steel latch plate 04 - Lever lock with tamperproof device S4 - Lever lock with tamper proof device and stainless steel latch plate 20 - Gear operator 21 - Gear operator with memory stop 22 - Gear operator with chain wheel 23 - Gear operator with AWWA 2" square oper. nut 24 - Gear operator with memory stop and chain wheel 29 - Non-std. gear operator* 53 - Stainless steel lever lock - 10 position 54 - Stainless steel lever lock with tamperproof device 60 - Stainless steel gear operator 62 - Stainless steel gear operator with chainwheel 99 - Special*

NOTES:  
\* Details required with order.  
+ For air and gas service only.



## Series 712S Swinger® check valve

Featuring Type 316 stainless body and trim in the Series 712S Swinger check valve is available in 2" (50 mm) size. Swinger check valves are supplied with bonnet cap drilled and tapped with ½" (12,7 mm) NPT pipe plug for chemical injection or other auxiliary connections.

Series 712S Swinger swing check valves are designed for use in horizontal service with standard Victaulic grooved fittings and couplings for fast installation on inlet and outlet ports. The large closure access bonnet permits easy access for in-line service. A Type 316 stainless steel clapper features a bonded seal and bumper. Swing check valves are available with EPDM, nitrile or an optional fluoroelastomer seat and bonnet gasket. For additional information, request publication 17.08.



## Series 726S Vic-Ball® valve

The Series 726S Vic-Ball valve is a high-pressure standard port ball valve with grooved ends. This two-piece, end-entry valve features a Type 316 stainless steel body and a floating ball for lower torque requirements. Series 726S valves are NACE compliant and are capable of pressures of 1000 psi (6900 kPa) for 1½ to 3-inch (40 - 80 mm) sizes and 800 psi (5515 kPa) for 4 to 6-inch (100 - 150 mm) sizes. The carbon steel ball and stem are connected to a virgin TFE seat.

Series 726S features ISO standard mounting holes for easier mounting of remote actuation, and is offered with manual handles with integral tamper resistant lock/seal and gear operators. A full range of power actuators can be mounted. For additional information, request publication 17.22.

### Ball Valve Numbering System for Series 726S

B - 020 - 1 2 2 6 16

Type	Size	Pressure Rating	Body	Ball & Stem	Seat	Operator	
B	014 020 024 030 040 060	1½" 2" 2½" 3" 4" 6"	1 - 1,000 psi 8 - 800 psi	2 - 316 Stainless Steel 9 - Special <sup>1</sup>	2 - 316 Stainless Steel 9 - Special	6 - Reinforced Teflon 9 - Special <sup>1</sup>	00 - Bare 16 - 2-Position Handle with Tamper-proof Locking Device 20 - Gear Operator 21 - Gear Operator with Memory 22 - Gear Operator with Chain Wheel 23 - Gear Operator with AWWA Square Nut 29 - Non-standard Gear Operator <sup>1</sup> VV - Pneumatic <sup>1</sup> WW - Electric <sup>1</sup> YY - Hydraulic <sup>1</sup>

NOTES:  
(1) Details required.



## Series 723S three-port diverter ball valve

The Series 723S three-port diverter ball valve has a common bottom inlet for diverting flow 90° left or right with 180° operation optionally available. It is rated for 600 psi (4130 kPa) service on 2-inch (50 mm) piping systems.

The body is Type 316 stainless steel. The three-port ball and blow-out proof stem are Type 316 stainless steel. Diverter ball valves are supplied with a standard galvanized carbon steel manual handle. The housing is tapped for mounting brackets to accept gear operators or power operators. For additional information, request publication 17.07.

### Ball Valve Numbering System for Series 723S Diverter

B - 020 - 6 8 7 6 15

Type	Size		Pressure Rating	Body	Ball & Stem	Seat	Operator
	Act. In.	Fig. No.					
B	2"	020	6 - 600 psi	8 - 316 Stainless Steel Diverter Body <sup>2</sup> 9 - Special <sup>1</sup>	7 - 316 Stainless Steel - 90° Diverter Ball 8 - 316 Stainless Steel - 180° Diverter Ball 9 - Special <sup>1</sup>	6 - Reinforced TFE 9 - Special <sup>1</sup>	00 - Bare 15 - 2-position Handle 16 - 2-position Handle with tamper-proof Locking Device 20 - Gear Operator (90°)

NOTES:  
(1) Details required.  
(2) 316 Stainless Steel NACE compliant available as special order. Consult Victaulic for details.



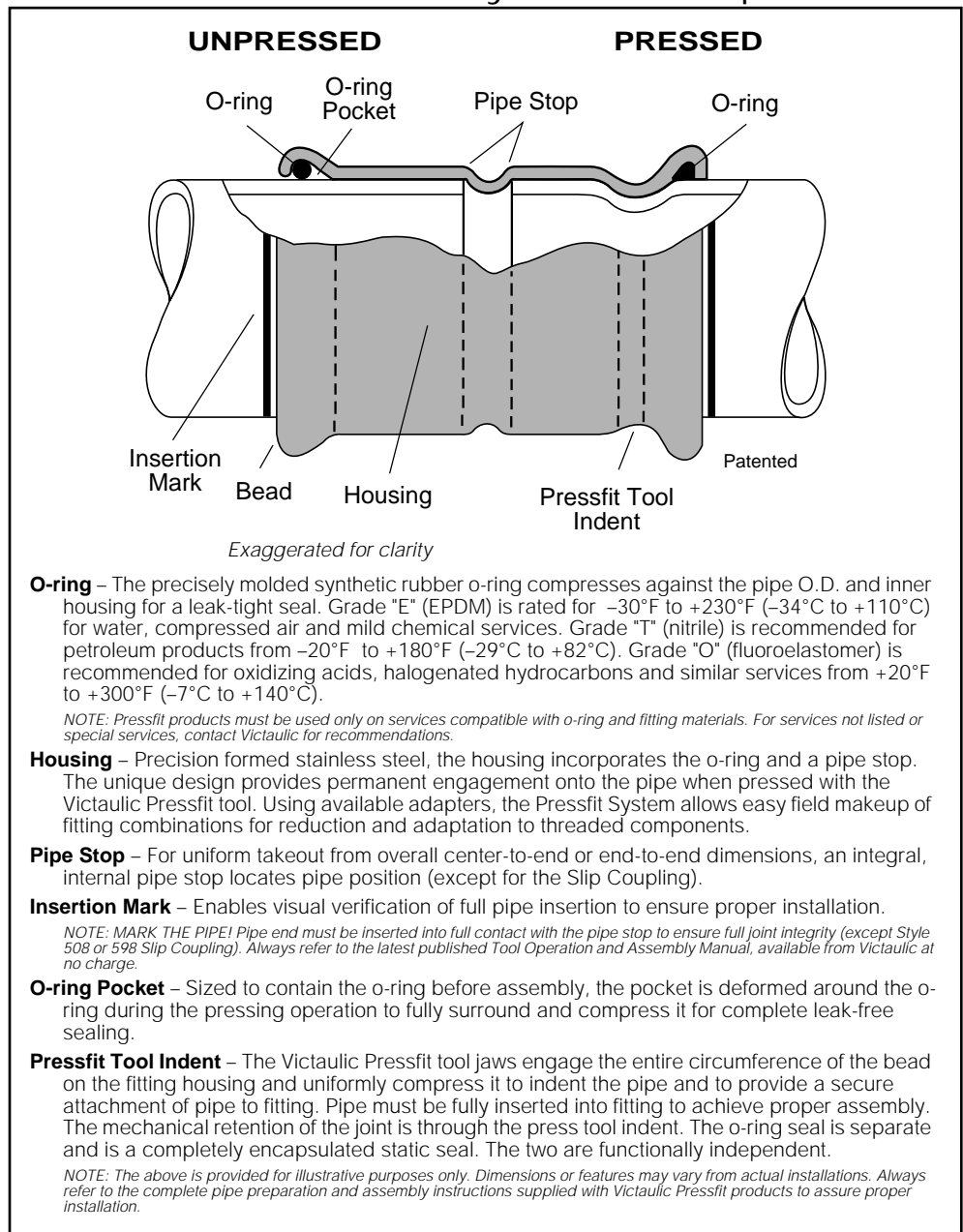
# The Pressfit® system for stainless steel pipe



The Pressfit system is a mechanical method of joining piping from 1/2" through 2" (15 - 50 mm). The system consists of couplings, fittings, approved pipe and valves. The fitting is pressed onto the pipe with a pressing tool and is superior to welding, flanging or threading. The Pressfit system should only be used with Pressfit approved pipe.



## The Pressfit® stainless system concept



## Pressfit – the preferred method. . .



**PRESSFIT**  
System

### Compared to welding

#### **NO FLAME. . .**

The Pressfit system offers a flame-free mechanical method of joining piping from ½ through 2-inch (15 - 50 mm). Since the fitting is pressed into the pipe with an electric pressing tool, it is far safer and requires no shielding, fire watch or permits.

### Compared to flanging

#### **LIGHTER. . .**

The Pressfit system provides the necessary pipe restraint by full circumferential engagement of the fitting into the pipe. Thus no heavy flanges are required.

Flange size, thickness and weight are functions of ANSI Class 125/150 requirements which adds significant weight (and bulk/size) to meet pressure requirements.

The Pressfit system meets this same service requirement with new proven technology.

#### **NO BOLTS. . .**

The Pressfit system requires no bolts, no torquing and no alignment for joining. The system allows rotational alignment prior to pressing and is not reliant on maintaining bolt torque for sealing efficiency. No bolts. No maintenance. No hassle.

### Compared to threading

#### **WALL THICKNESS. . .**

Pressfit system assembly removes no pipe wall material, merely pressing a fitting onto the pipe. The fitting actually serves to reinforce the pipe at the joint.

Available pipe wall thickness for Schedule 5 Pressfit pipe is actually greater than Schedule 40 at the first thread outside the fitting in sizes through 1½" (40 mm).

#### **CORROSION RESISTANCE. . .**

Vic-Press 304 and Pressfit stainless systems provide the corrosion resistance of austenitic pipe as part of the system.

# Features and benefits of the Pressfit system

## Economical

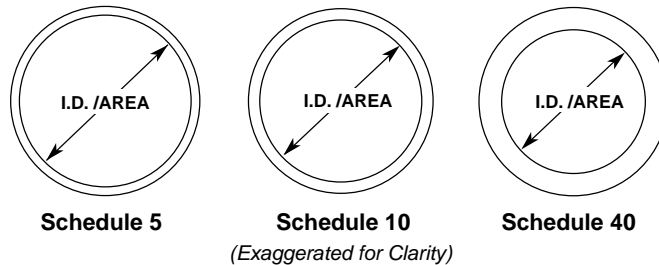
- Unprecedented speed and ease of assembly
- Rapid fabrication
- Easier on-site handling
- Lower materials cost
- Lower job site labor exposure

## FRICITION LOSS

Nom. Size Inch.	Flow Rate (GPM)	Friction Loss (PSI Per Ft.) C = 120				
		Sch. 5	Schedule 10		Schedule 40	
			PSI	Higher	PSI	Higher
½	15	0.500	0.643	22%	0.951	90%
¾	25	0.3713	0.4510	21%	0.6351	71%
1	40	0.2584	0.3773	46%	0.4691	82%
1¼	100	0.4062	0.5426	34%	0.6721	66%
1½	120	0.2800	0.3592	28%	0.4445	59%
2	150	0.1330	0.1616	22%	0.1989	50%

## Superior Hydraulics of Schedule 5 pipe

- Lower friction loss frequently permits pipe size reduction on hydraulically calculated systems
- Fittings have comparable flow characteristics to threaded fittings
- Greater overall system efficiency
- 15% to 20% greater available flow area



## Fast

- Portable tools press a pipe joint in seconds
- Variety of fittings permits easy adaptation
- Integral pipe stop permits uniform takeout measurement *(except for special Slip Coupling)*
- Roll grooved Sch. 5 pipe easily integrates with Pressfit system

## FLOW AREA

Nominal Size Inches	Available Flow Area (Sq. Inches)				
	Sch. 5	Schedule 10		Schedule 40	
		Flow Area	Less	Flow Area	Less
½	0.396	0.357	10%	0.304	23%
¾	0.655	0.614	8%	0.533	20%
1	1.103	0.945	14%	0.864	22%
1¼	1.839	1.633	11%	1.496	19%
1½	2.461	2.222	10%	2.036	17%
2	3.960	3.650	8%	3.360	15%

# Type 304 and Type 316 stainless steel pipe

The Victaulic Pressfit system for stainless steel pipe provides a fast, easy, clean reliable means for installing ½ through 2-inch (15 - 50 mm) stainless steel piping systems.

Only certified/approved Pressfit pipe should be used with Pressfit stainless steel products. Approved pipe carries the label, **“Victaulic Pressfit Pipe. Certified for use with Pressfit products.”**

For further information request publication 18.01 for Vic-Press 316 and publication 18.02 for Vic-Press 304.

## Vic-Press 304 Product Selection

**F - 014 597 X E P**

Fitting	Size	Part Number		Material	O-ring	Ends
F = Vic-Press 304	SEE LIST BELOW	587 - Transition Nipple 588 - Tee Red. Br.-Thd. 590 - 90° Elbow 591 - 45° Elbow 592 - Tee 593 - Tee Red. Br.-Pr.	594 - Conc. Red. 595 - Flg. Adapter 596 - Male Adapt. 597 - Std. Cplg. 598 - Slip Cplg. 599 - Fem. Adapter	X = Austenitic Stainless Steel	E - EPDM T - Nitrile O - Fluoroelastomer 2 - No o-ring (Use for plain end only)	P = Pressfit F = Female Pipe Thread M = Male Pipe Thread T = Plain End L = Flanged G = Grooved
<b>Pressfit Sizes</b>						
004 = ½	A59 = ¾ X ½	B02 = 1¼ X ½	B11 = 1¼ X 1¼ X 1	B36 = 1½ X 1½ X ¾	J55 = 1½ X 1 X ½	
006 = ¾	A61 = ¾ X 1	B04 = 1¼ X ¾	B26 = 1½ X ½	B37 = 1½ X 1½ X 1	J56 = 1½ X 1¼ X ¾	
010 = 1	K26 = 1 X ½	B05 = 1¼ X 1	B28 = 1½ X ¾	FB59 = 2 X ¾	J57 = 2 X 1½ X ½	
012 = 1¼	A83 = 1 X ¾	B06 = 1¼ X 1 X ¾	B29 = 1½ X 1	FB60 = 2 X 1	J58 = 2 X 1½ X ¾	
014 = 1½	K46 = 1 X 1 X ½	B07 = 1¼ X 1 X 1	B31 = 1½ X 1¼	B64 = 2 X 1¼	J59 = 2 X 1½ X 1	
020 = 2	A84 = 1 X 1 X ¾	B09 = 1¼ X 1¼ X ½	B32 = 1½ X 1¼ X ½	B67 = 2 X 1½		
		B10 = 1¼ X 1¼ X ¾	B38 = 1½ X 1¼ X 1	B71 = 2 X 2 X ½		
				B72 = 2 X 2 X ¾		
				B73 = 2 X 2 X 1		

## Vic-Press 316 Product Selection

**F - 014 507 X E O**

Fitting	Size	Part	Material	O-ring	Ends
F = Pressfit	SEE LIST BELOW	Pressfit Part Number	X = 316 Stainless Steel Z = Carbon Steel, Externally electroplated	E - EPDM T - Nitrile O - Fluoroelastomer 2 - No o-ring (Use for plain end only)	O = P X P F = P X FPT P = P X P X P M = P X MPT T = Plain End L = P X Flange
<b>Pressfit Sizes</b>					
004 = ½	A59 = ¾ X ½	B02 = 1¼ X ½	B11 = 1¼ X 1¼ X 1	B36 = 1½ X 1½ X ¾	J55 = 1½ X 1 X ½
006 = ¾	A61 = ¾ X 1	B04 = 1¼ X ¾	B26 = 1½ X ½	B37 = 1½ X 1½ X 1	J56 = 1½ X 1¼ X ¾
010 = 1	K26 = 1 X ½	B05 = 1¼ X 1	B28 = 1½ X ¾	FB59 = 2 X ¾	J57 = 2 X 1½ X ½
012 = 1¼	A83 = 1 X ¾	B06 = 1¼ X 1 X ¾	B29 = 1½ X 1	FB60 = 2 X 1	J58 = 2 X 1½ X ¾
014 = 1½	K46 = 1 X 1 X ½	B07 = 1¼ X 1 X 1	B31 = 1½ X 1¼	B64 = 2 X 1¼	J59 = 2 X 1½ X 1
020 = 2	A84 = 1 X 1 X ¾	B09 = 1¼ X 1¼ X ½	B32 = 1½ X 1¼ X ½	B67 = 2 X 1½	
		B10 = 1¼ X 1¼ X ¾	B38 = 1½ X 1¼ X 1	B71 = 2 X 2 X ½	
				B72 = 2 X 2 X ¾	
				B73 = 2 X 2 X 1	



# Victaulic pipe preparation tools

Victaulic is the leader in the development of roll and cut grooving tools. In addition to our extensive lines of grooving tools, Victaulic offers hole cutting tools, cut-off tools, cleaning and pressing tools. Tools are available for purchase or rental through the Victaulic Tool Company. For more information on tools, request publication 24.01 or visit our web site at [www.victaulic.com](http://www.victaulic.com).



Manual roll grooving tool



Roll grooving tool



Pressfit tool



## Manual roll groovers

- Manual, orbital, in-line groovers
- Lightweight and perfect for retrofit/repairs
- No power required; no roll changes



## Field roll groovers

- Portable, rugged and durable for field grooving
- Offered for use with external power drives or with the power drive built in
- Quick and easy roll changes without changing shafts



## Production roll groovers

- Heavy-duty shop model for production grooving
- Quick and easy roll changes without changing shafts
- Pipe stabilizer prevents pipe sway



## Pressfit<sup>®</sup> system

- Available with electric, hydraulic or pneumatic power
- Used to join revolutionary Pressfit System for Schedule 5 pipe
- Individual jaws are provided for each size of pipe
- Joins ½ through 2-inch (15 - 50 mm) Pressfit systems

# Applications



The Victaulic grooved system is ideal for piping galleries. By providing a union at every joint, the Victaulic system allows you easy access to the system for maintenance and changes.



Restricted spaces, such as this mechanical room, are another example of where the grooved system can decrease your costs. Since couplings can be rotated and oriented in any direction, installation is much faster and easier. There are no two-holing problems as with flanged components, or smoke and flame concerns as with welding.



The Pressfit stainless system is ideal for air and water lines. The leak-free joint can be used on systems with pressures up to 300 psi.



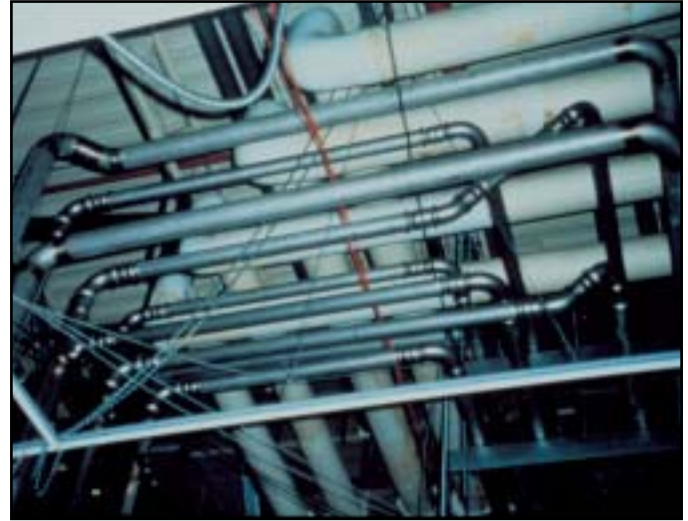
Pressfit products are light in weight, allowing sections to be built on the ground, then joined to the system "in the air." A variety of Pressfit tools are offered to meet the most demanding job site requirements.







For externally corrosive environments, Victaulic offers a full line of stainless steel couplings, valves and fittings. The Series 763 butterfly valve on this line has been joined to the system using two stainless steel rigid couplings that match the performance and hanging requirements of welded systems.



The Pressfit system is the fastest and easiest method for mechanically joining small diameter piping systems.



The Pressfit system provides unparalleled versatility. With a variety of o-rings for most applications, Pressfit system components provide reliable, leak-free service. This instrumentation line was installed more quickly and economically when compared to other traditional joining methods.

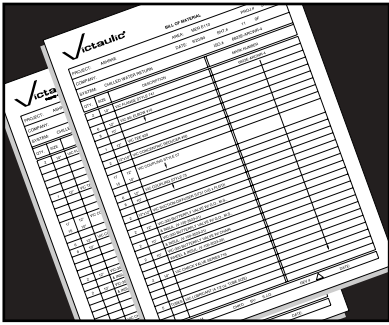


The grooved system remains the fastest method for joining 2 through 12-inch (50 - 300 mm) stainless steel piping systems. Requiring just two bolts and nuts to complete a joint, the Victaulic system can reduce your installation time by 30 - 50%.





## Value added services



The benefits of low total installed cost, reduced downtime and maintenance ease are only part of the Victaulic system package. Victaulic offers value added services, unlike any other piping products manufacturer, designed to facilitate evaluation, planning and fulfillment of your piping systems needs.

### Value analysis

Free evaluation of competitive systems costs using your labor factors and materials cost provides a platform for decision making. This can be followed at your option by complete fabrication and erection drawings. Call 1-800-261-3550 for a free drawing quotation.



### Piping services

Detailed piping layouts, isometrics, bills of material and cut sheets can be prepared at reasonable rates from your designs to facilitate piping system fabrication and installation on the latest AutoCAD drafting programs augmented by computerized value analysis.

We can provide the entire package of couplings, fittings, valves and components bagged and tagged by isometric or plan and section drawing. Pipe fabricated and erected to the drawings and cut sheets complete the Victaulic Construction Piping Services package.

We can work through your regular fabricator, your own shop or our stocking distributor, many of whom are equipped to cut, groove and package systems to our Construction Piping Services specifications and requirements.



### Design software

The Victaulic Construction Piping Services Division offers several software packages to aid you in designing and specifying Victaulic piping systems. Vic®/Guide Spec, Vic®/Blocks 2.0, Vic®/PDS Piping specs and Vic®/PDMS Piping Catalog are all available to customers free of charge. Call 1-800-261-3550 or visit our website for more information on these products.



### Field service

Victaulic is the only grooved and plain end mechanical piping systems manufacturer with over 180 factory-trained piping specialists across the country and worldwide.



### Engineered Products

Solutions to unique and challenging applications, product needs and materials are available through our Engineered Products Group. Alloys, non-ferrous, plastics, special coatings, non-standard product variations, ANSI, ASTM, ASME and other code requirements are handled.



## Victaulic Companies

### WORLD HEADQUARTERS

P.O. Box 31 • Easton, PA 18044-0031  
4901 Kesslersville Road • Easton, PA 18040 USA  
e-mail: pickvic@victaulic.com

Phone: 1-800-PICK-VIC (1-800-742-5842)  
Phone: 610/559-3300 • Fax: 610/250-8817

### VICTAULIC TOOL COMPANY

P.O. Box 31 • Easton, PA 18044-0031  
Phone: 610/559-3300 • Fax: 610/923-3090  
e-mail: victools@victaulic.com

### VICTAULIC CONSTRUCTION PIPING SERVICES DIV.

1818 Vultee Street • Allentown, PA 18103  
Phone: 610/559-3488 • Fax: 610/923-3170  
e-mail: cps@victaulic.com

## Victaulic Around the World

### VICTAULIC COMPANY OF AMERICA

P.O. Box 31 • Easton, PA 18044-0031  
Phone: 610/559-3300 • Fax: 610/250-8817  
e-mail: victaulic@victaulic.com

### VICTAULIC COMPANY OF CANADA

65 Worcester Road • Rexdale, ON M9W 5N7  
Phone: 416/675-5575 • Fax: 416/675-5565  
e-mail: viccanada@victaulic.com

### VICTAULIC AMERICA LATINA

P.O. Box 31 • Easton, PA USA 18044-0031  
4901 Kesslersville Road • Easton, PA USA 18040  
Phone: 610/559-3300 • Fax: 610/559-3608  
e-mail: vical@victaulic.com

### VICTAULIC EUROPE

Prijkelstraat 36 • 9810 Nazareth, Belgium  
Phone: 32-9-381-15-00 • Fax: 32-9-380-44-38  
e-mail: viceuro@victaulic.be

### VICTAULIC ASIA-PACIFIC

541 Orchard Road • #14-02, Liat Towers  
Singapore 238881  
Phone: 65-6235-3035 • Fax: 65-6235-0535  
e-mail: vicap@victaulic.com

## Victaulic Subsidiaries

### AQUAMINE, LLC

247-A Vance Tank Road • Bristol, TN 37620  
Phone: 800/637-0117 • Fax: 423/652-7338

### DEPEND-O-LOK, INC.

P.O. Box 48776 • Atlanta, GA 30362  
2681 Pleasantdale Road • Doraville, GA 30340  
Phone: 800/841-6624 • Fax: 770/840-8312

### COASTLINE PLASTICS, LLC

674 Coastline Drive • Yulee, FL 32097-3355  
Phone: 888/225-5950 • Fax: 904/225-8660

### GAMMA FOUNDRIES LTD.

75 Newkirk Road • Richmond Hill, ON L4C 3G4  
Phone: 905/884-9091 • Fax: 905/884-2669